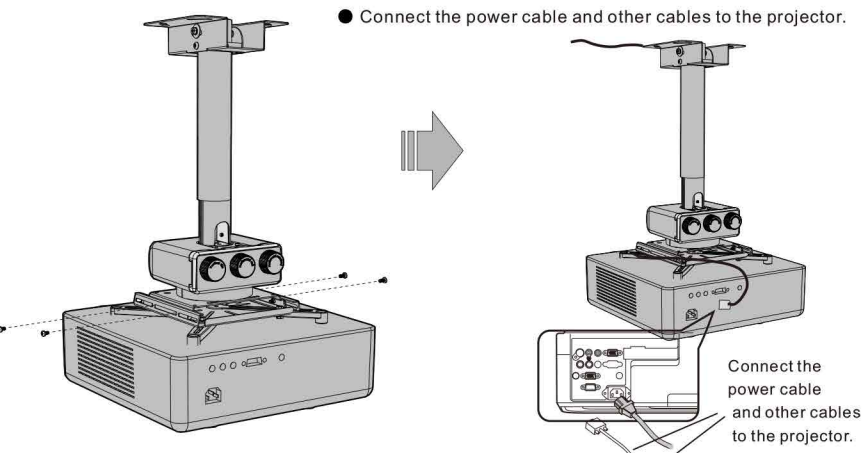
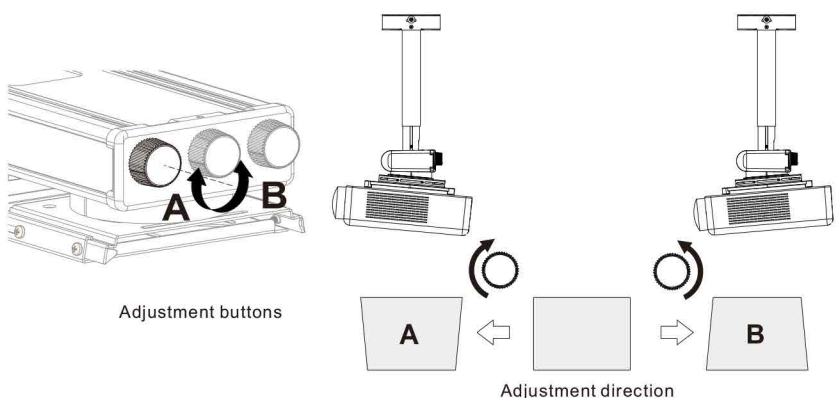


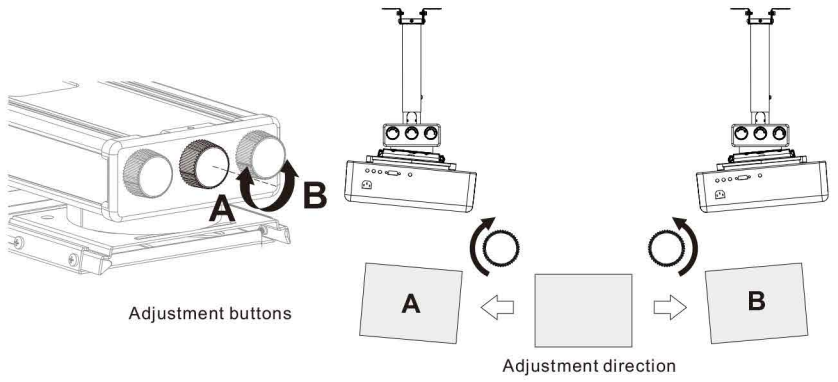
To Install The Projector On The Projector Ceiling Mount



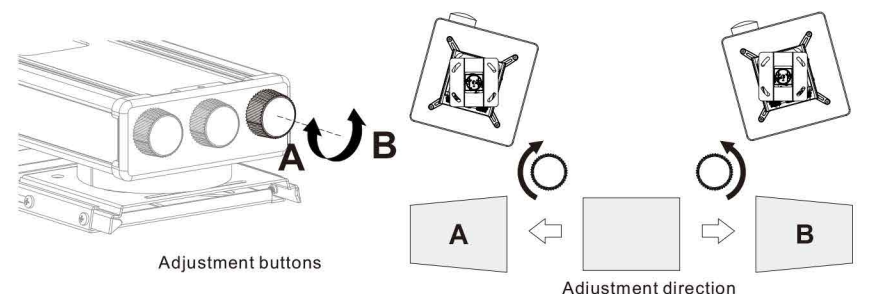
To Adjust The Vertical Tilt



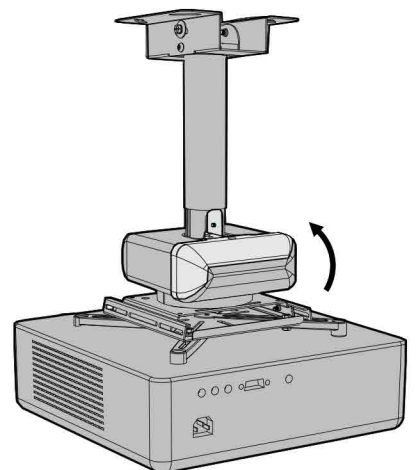
To Adjust The Horizontal Roll



To Adjust The Horizontal Rotation

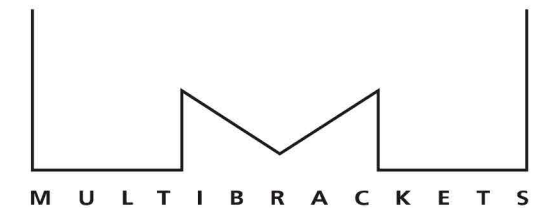


To Put On The Decorative Cover

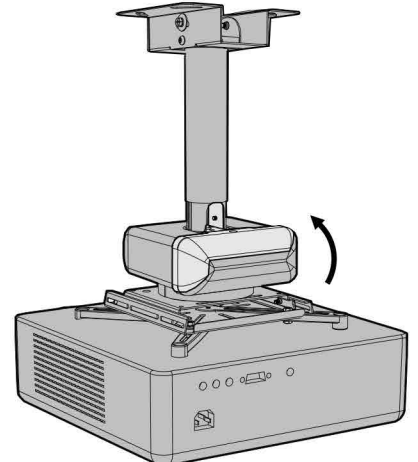


Product Information :

Net weight: 1.9kg	Rated capacity: 10kg
Adjustable angle: Longitudinal inclination、Level angle、Yaw angle±5° (3 directions)	
Adjustable range: From the installation plate center vertical distance 200mm	



M Universal Projector Ceiling Mount 200 with finetune

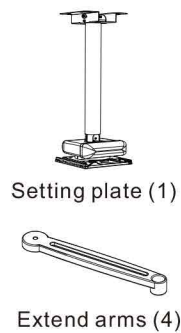


- Be sure to read this manual thoroughly and to do the installation work safely. Keep this manual available for future reference.
- Sufficient expertise is required for installing this projector ceiling mount.
- Do not use the projector ceiling mount for purposes other than for which it is designed.

## Important Safety

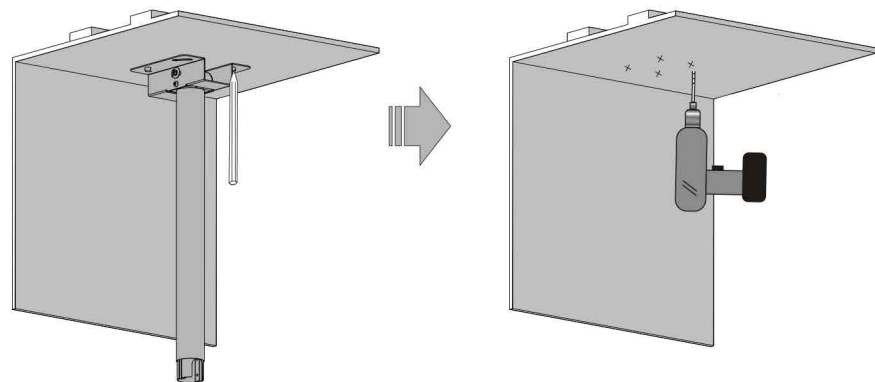
- Be sure to read this manual thoroughly to do the installation work.
  - Only qualified service personnel (two or more) should carry out installation or dismantling of the projector from the projector ceiling mount.
  - Use with products heavier than the maximum weights (Weight Capacity : <10kg) indicated may result in instability causing possible injury.**
  - For safety reasons, check the strength of the ceiling before installation. If the ceiling is not strong enough, reinforce it sufficiently before installation.
  - Do not make alterations to the projector ceiling mount.
  - Do not install the projector ceiling mount on a ceiling subject to vibration or impact.
  - To avoid fire, do not install the projector with the projector ceiling mount in a humid or excessively dusty place.
  - Use the supplied accessories only. Use of accessories other than those supplied may result in damage to the projector ceiling mount.
  - When dismantling the projector from the projector ceiling mount, be sure to unplug the AC power cord and other connecting cables beforehand.
  - Do not hit or hang any heavy objects on the projector ceiling mount. If the projector ceiling mount is damaged, stop use and contact a qualified service person immediately.
  - Please install this apparatus only on the horizontal surface instead of the slanting one.
- \* **Manufacturer is not liable for any damages or injury caused by mishandling or improper installation.**

## Checking The Supplied Accessories



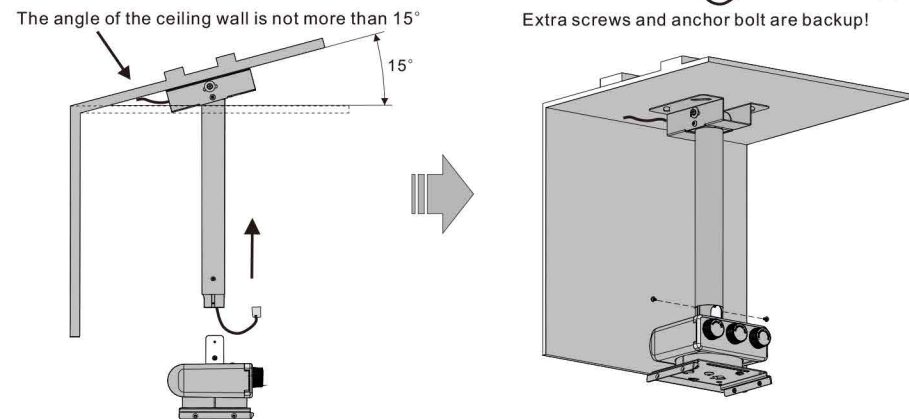
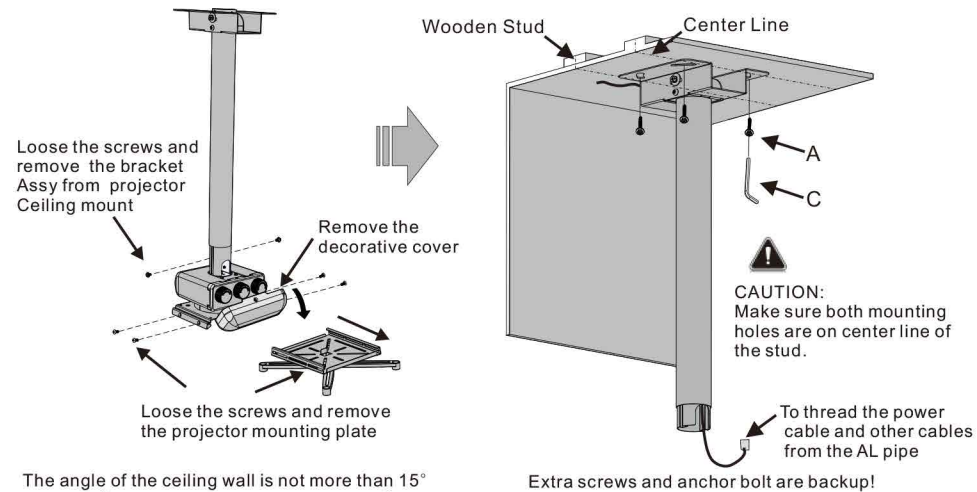
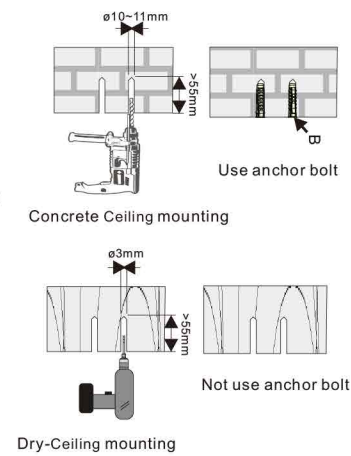
NO	diagrammatic presentation	designation	quantity	NO	diagrammatic presentation	designation	quantity
A		Screw (M6X55)	5	F		Screw (M5X12)	4
B		Φ10mm Anchor bolt	5	G		Screw (M5X25)	4
C		Allen key	1	H		M5 nuts	4
D		Screw (M3X10)	4	I		spacer(8.0)	4
E		Screw (M4X10)	4	J		M6 Connecting screws	4

## To Set The Projector Ceiling Mount On The Ceiling



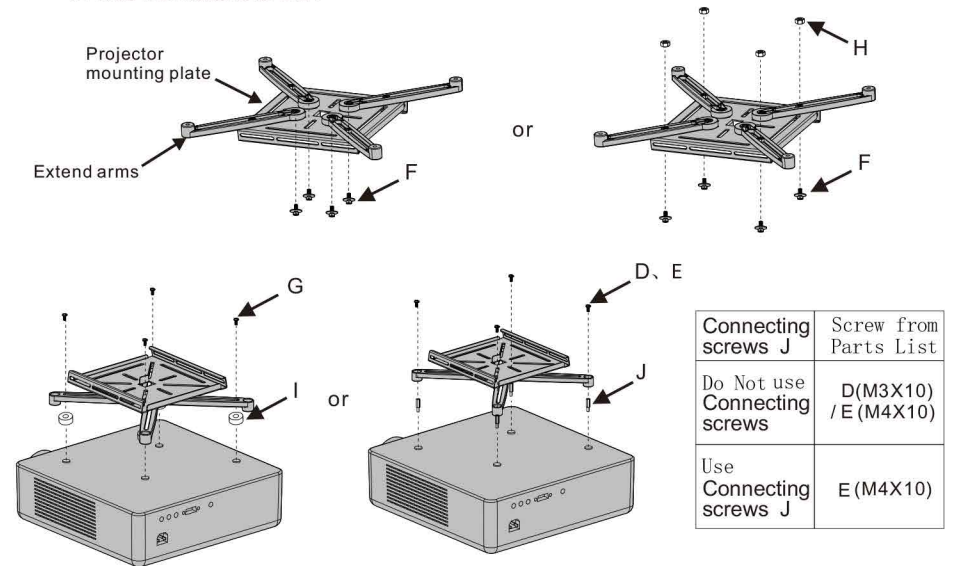
## To Set The Projector Ceiling Mount On The Ceiling

- Concrete ceiling mounting thickness must be a minimum 100mm. Anchor bolt and serew (M6 × 55) are needed to be used for installation.
- Dry-ceiling mounting thickness must be a minimum 70mm. Only serew(M6 × 55) is needed to be used for installation. If the wall is not strong enough, reinforce it sufficiently before installation.
- Please contact manufacturer if you have any questions about mounting surface issue.

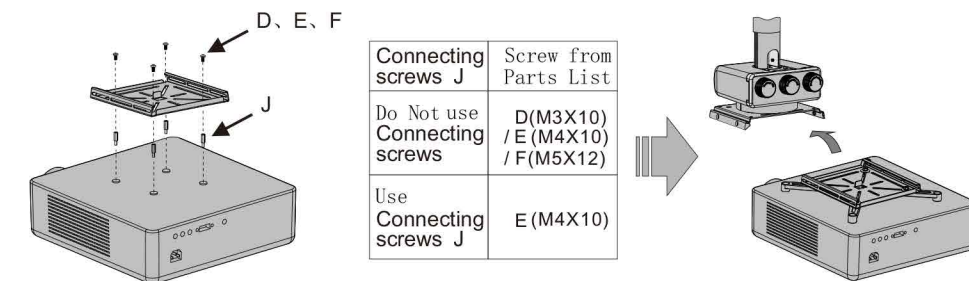


## To Install The Projector On The Projector Ceiling Mount

a. Use the extend arms :



b. Do not use the extend arms :



- Move the projector mounting plate and adjust the forward/backward slide.

